



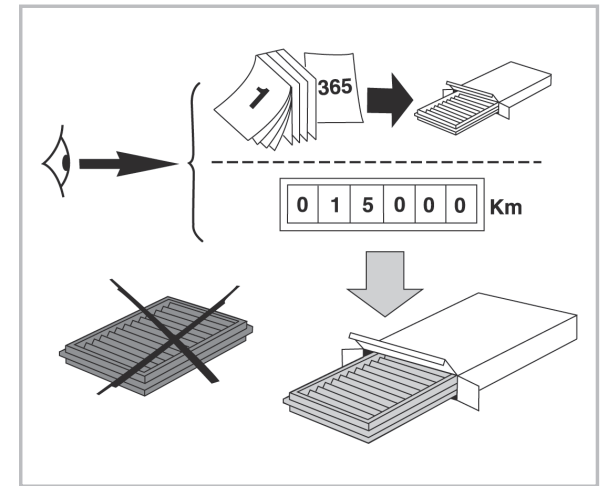
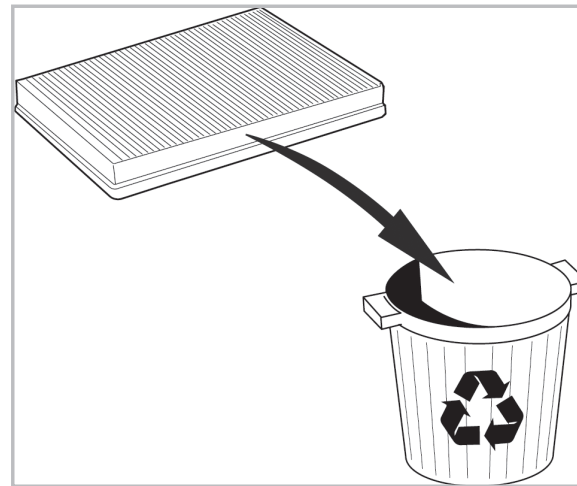
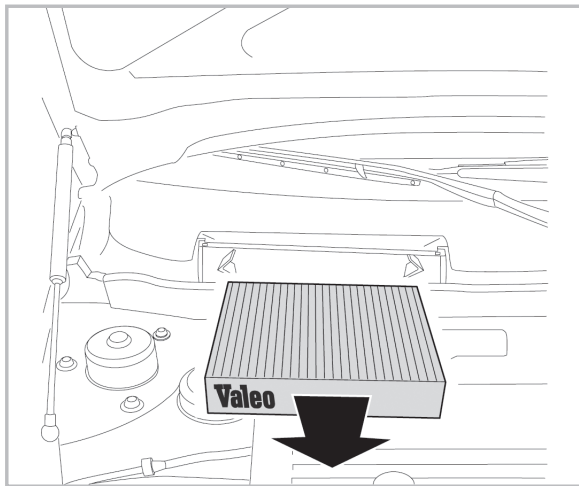
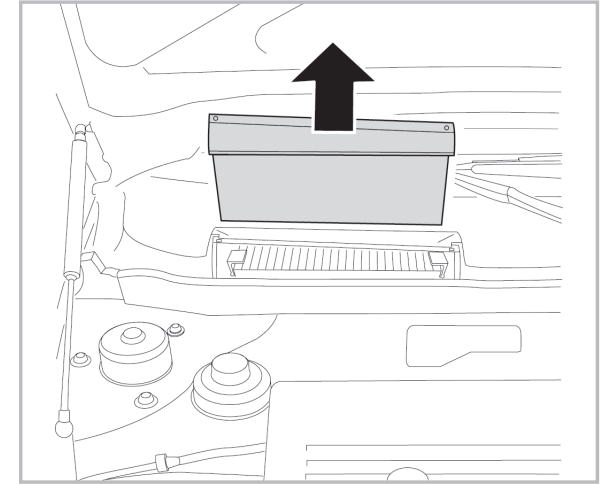
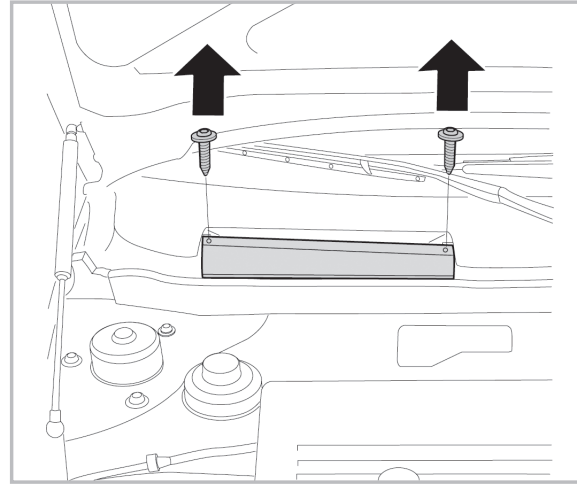
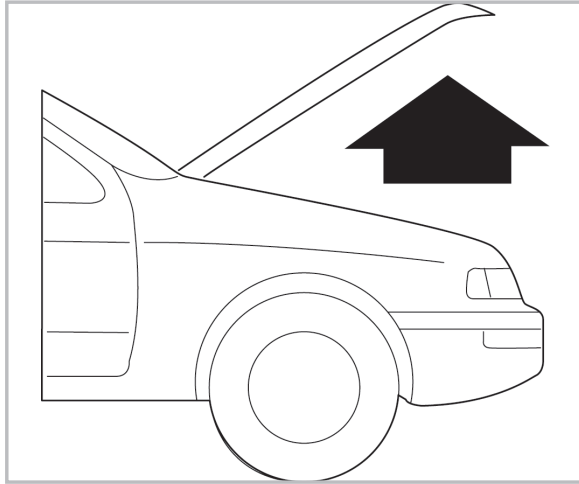
FOR
AUDI

A8 A/C+/- (11/02 >) / S8 A/C+ (06/06 > 03/12)

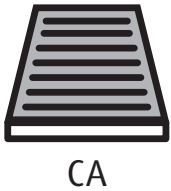


PROTECT

combined with
active carbon



698792
FH902



**WANT TO
KNOW MORE?**



www.valeo-techassist.com