



VARTA ProMotive HD

Vehicle Key Benefits

- Engineered in Germany
- Patented PowerFrame® grid for reliable starting power, fast recharge and corrosion resistance.
- Meets all original criteria of the commercial vehicle manufacturer

For more information visit varta-automotive.com

ORDER INFORMATION

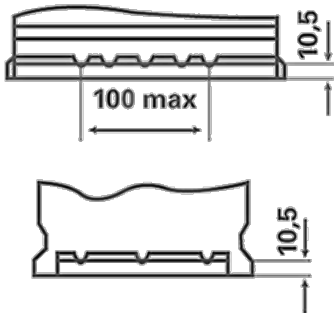
European Type No. (ETN):	555064042
Article Number:	555064042A742
Short Code:	C20
Barcode:	4016987128954
UK Code:	
Packaging Unit:	1
Quantity per Pallet:	57

TECHNICAL INFORMATION

Voltage [V]:	12	Base Hold-down:	B13
Battery Capacity [Ah]:	55	Layout:	0
CCA, EN [A]:	420	Terminal Types:	1
Length [mm]:	242	Case Size:	H5
Width [mm]:	175	Weight filled (kg):	14,2
Height [mm]:	190		

DRAWINGS

B13



0



1

