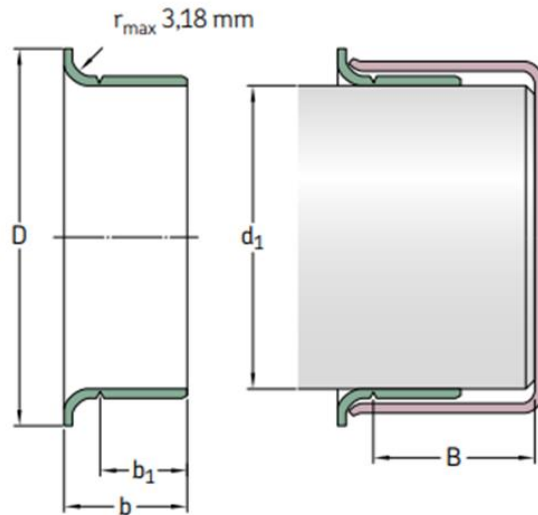


SKF Product drawing sketch

SKF SPEEDI-SLEEVE

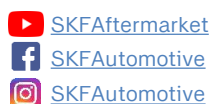


Parameter	Drawing
For shaft diameter (mm) – d_1	d_1
Flange diameter (mm) - D	D
Contact width (mm) – width 1	b_1
Total width (mm) – width 2	b
Max insertion depth with tool provided (mm)	B



Scan the QR code or visit vehicleaftermarket.skf.com to know more premium SKF products

Follow us on Social Media



Contact SKF Technical Support to help resolve your automotive problems and answer your questions: helpline@skf.com