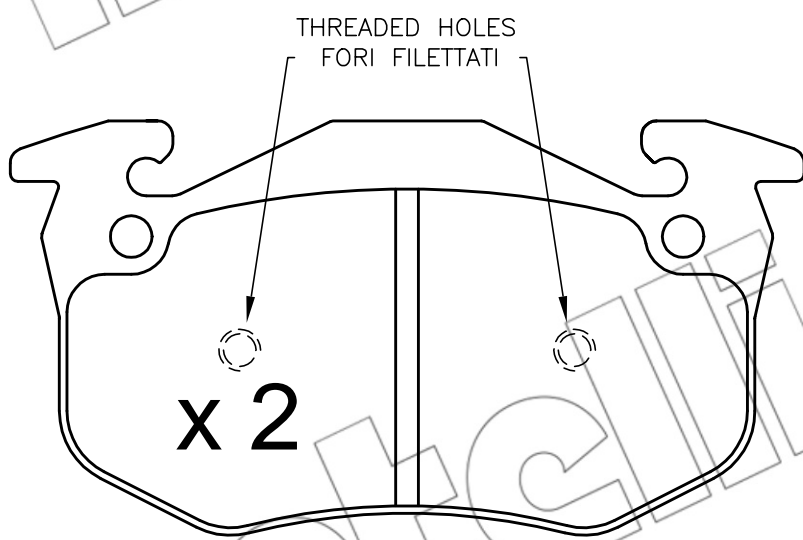
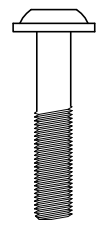
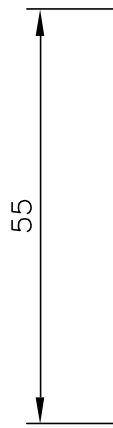


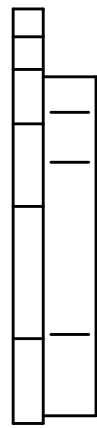
x 4



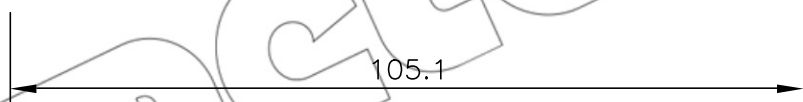
THREADED HOLES  
FORI FILETTATI



55



11



105.1

metelli