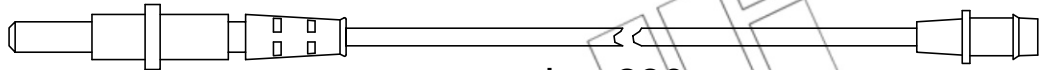
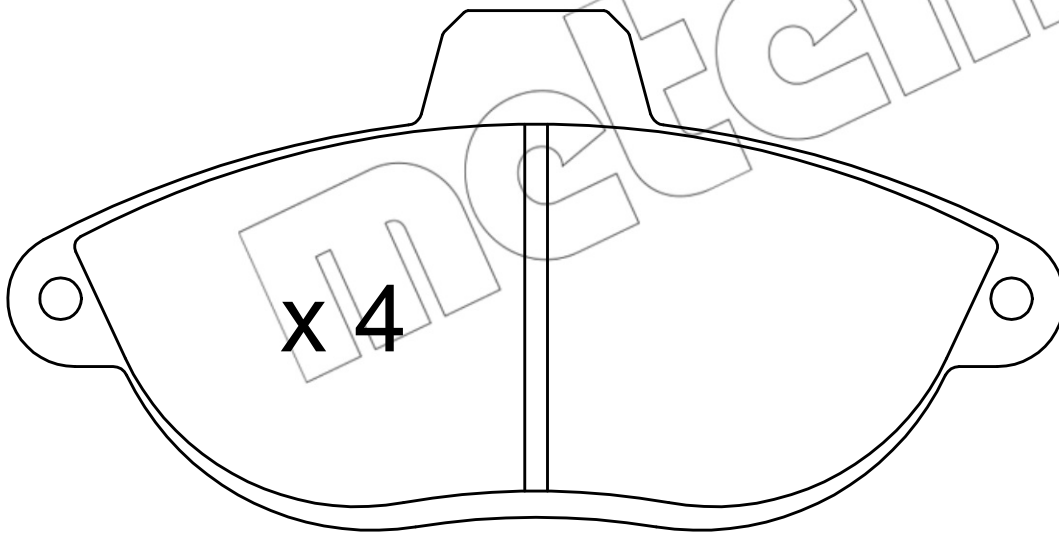


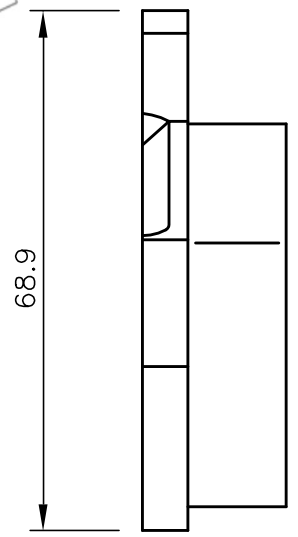
x 2



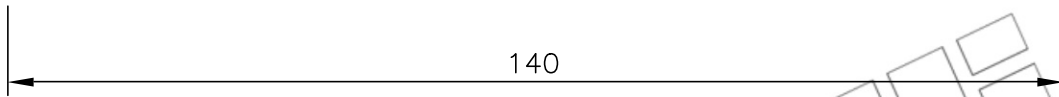
L = 280



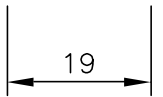
x 4



68.9



140



19

metelli

metelli