

REV	DATE	R.D.M.	DESCRIPTION	SIGNATURE

REVISIONS & MODIFICATIONS

OE#BAKEN AS REFERENCE: BCA-26-43Z

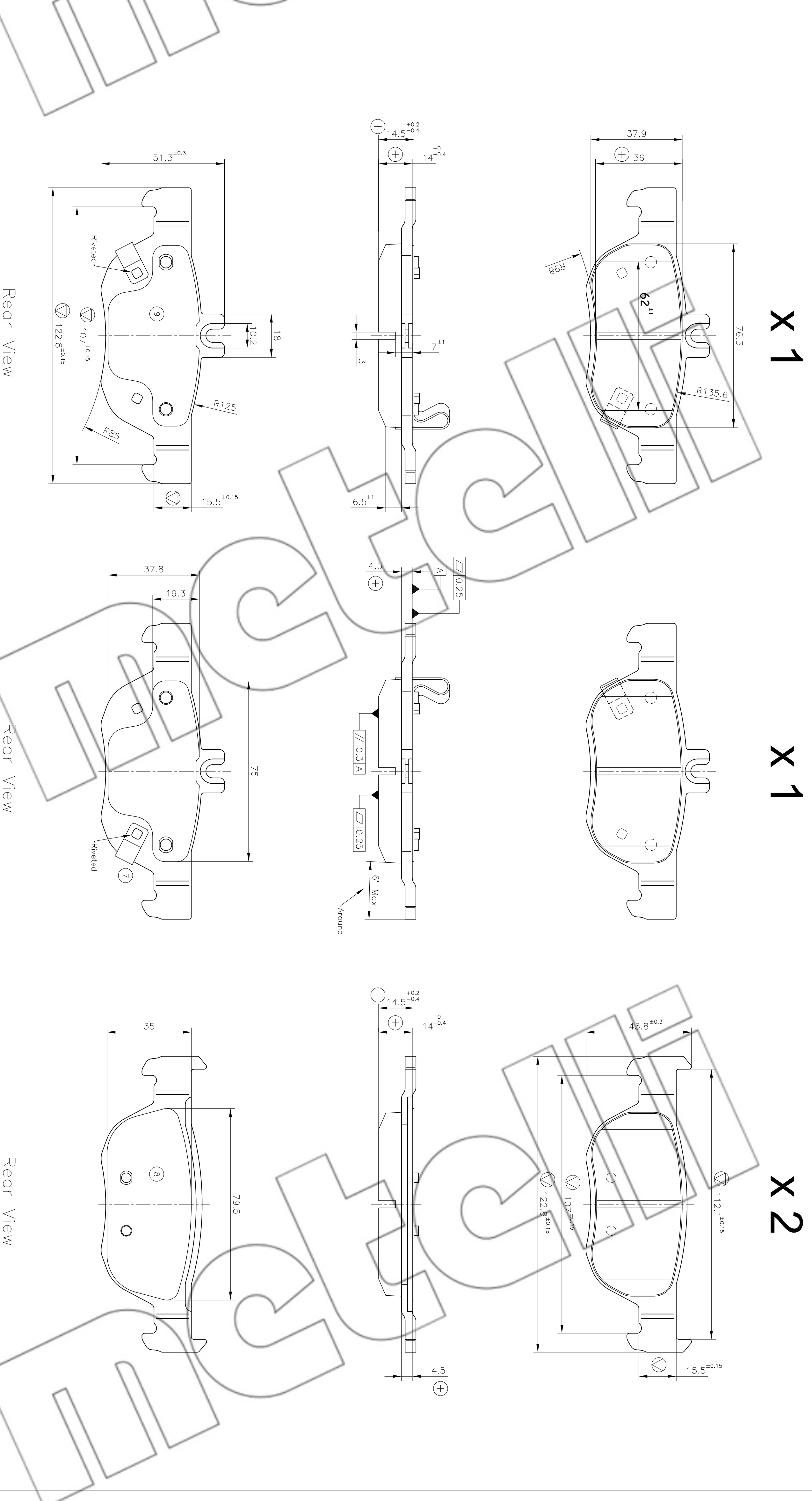
BILL OF MATERIALS & COMPONENTS

Nr	FT CODE	DESCRIPTION	QTY
1	FT#C	Friction compound for passenger cars	-
<ul style="list-style-type: none"> - Friction material: 11 - Identification letter: C - Friction coefficient: according to ISLB-28 (V) - Shear resistance: according to ISLB-17 (V) - Compressibility: according to ISLB-30 (V) - Density: according to ISLB-19 (V) - Hardness: according to ISLB-18 (V) - Friction material surface: 2.543,6 mm² - General tolerances: ±0,5 			
2	FT#U	Underlayer compound	-
<ul style="list-style-type: none"> - Identification letter: U - Color: black or red - Friction coefficient: according to ISLB-28 (V) - Shear resistance: according to ISLB-17 (V) - Compressibility: according to ISLB-30 (V) - Hardness: according to ISLB-18 (V) 			
3	C.8523	Pre-coating water based adhesive	-
<ul style="list-style-type: none"> - Color: black - Shear resistance: according to ISLB-17 (V) - Plate surface ≤ 100cm² → 2,50mg/cm² + 5,50mg/cm² - Plate surface > 100cm² → 8,50mg/cm² + 11,00mg/cm² 			
4	MC.002	powder paint	-
<ul style="list-style-type: none"> - Color: black - Thickness = 40 ± 90 μm 			
5	PM.1068	Backing plate	2
<ul style="list-style-type: none"> - Plate material: S235JR (⊕) - Plate surface: 3.579,1 mm² - General tolerances: ±0,3 - Roughness: Ra ≥ 7 μm Rz ≥ 45 μm 			
5	PM.1068A	Backing plate	2
<ul style="list-style-type: none"> - Plate material: S235JR (⊕) - Plate surface: 3.651,1 mm² - General tolerances: ±0,3 - Roughness: Ra ≥ 7 μm Rz ≥ 45 μm 			
6	ML.238K	2x acoustic sensor	1
<ul style="list-style-type: none"> - Spring material: steel 65Mn (⊕) - Surface treatment: degreasing 			
7	ML.340	Acoustic wear sensors	2
<ul style="list-style-type: none"> - Spring material: steel 65Mn (⊕) - Surface treatment: degreasing 			
8	AV.843	Anti-noise shim	2
<ul style="list-style-type: none"> - Spring material: multilayer rubber-steel-rubber (⊕) - Surface treatment: smooth 			
9	AV.844	Anti-noise shim	2
<ul style="list-style-type: none"> - Spring material: multilayer rubber-steel-rubber (⊕) - Surface treatment: smooth 			

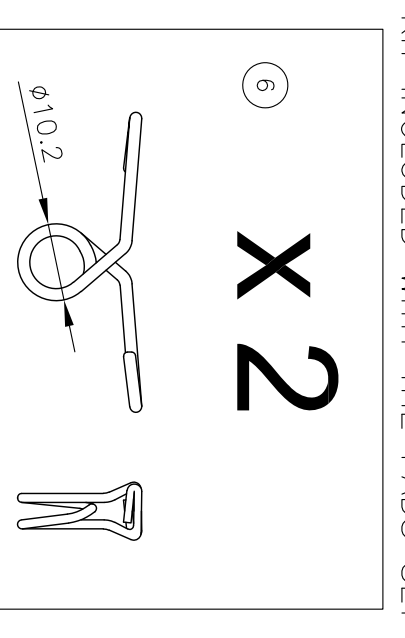
ALL THE DIMENSIONS EXPRESSED IN THE DRAWING DON'T CONSIDER THE THICKNESS OF THE PAINT

UNLESS OTHERWISE STATED THE FOLLOWING APPLIES:

- General symmetry (⊖|⊗|⊚|⊛)
- Control of prohibited and restricted substances according to PSA-51
- Identification of key characteristics according to PQ-30
- Abbreviations according to ModUT-63



KIT INCLUDED WITH THE PADS SET



CRITICALITY LEGEND

REPORT	12	CRITICAL	7	IMPORTANT	14
--------	----	----------	---	-----------	----

Part name: BRAKE PADS

Reference Code: 1226.0

Signature: Castellino A.

Date: 22.01.2021

Prod. class: 1D

Scale: 1:1

Size: A1

