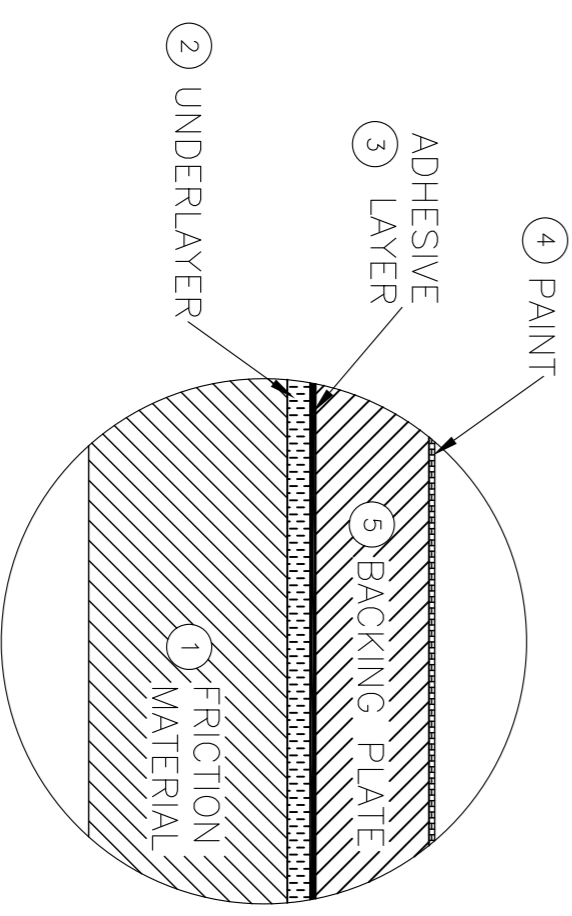
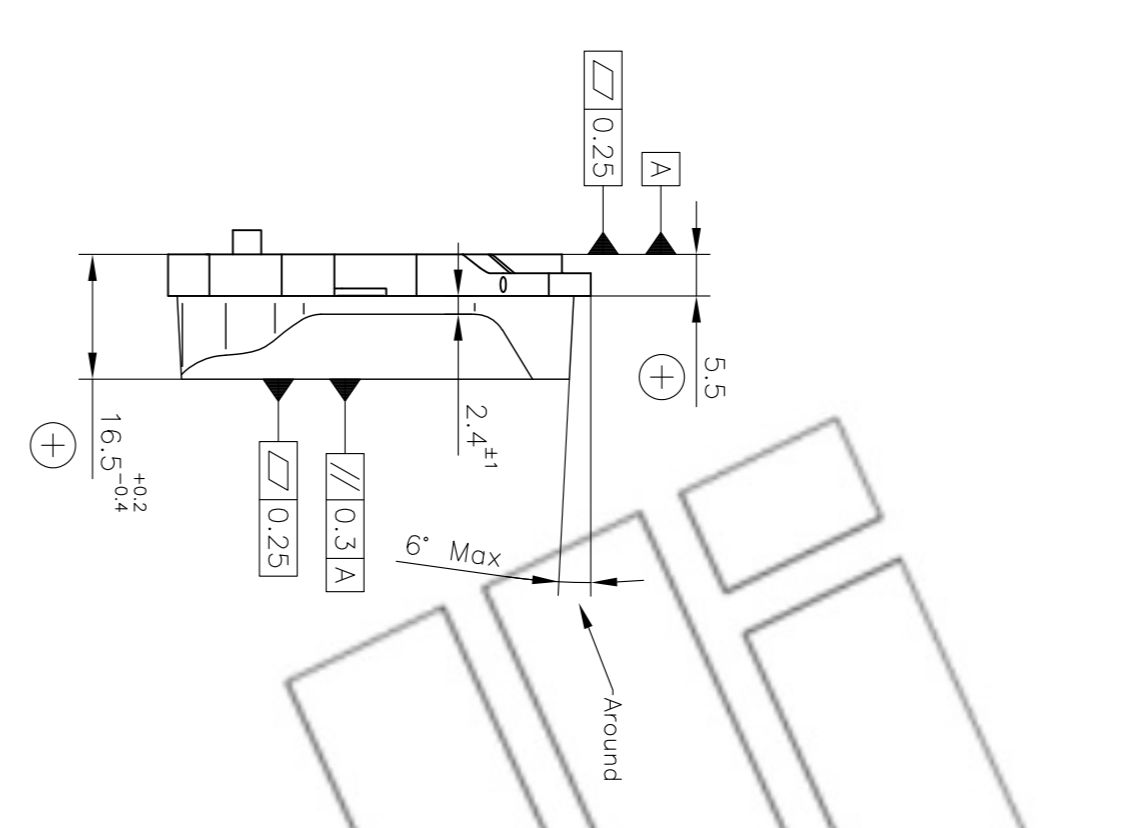
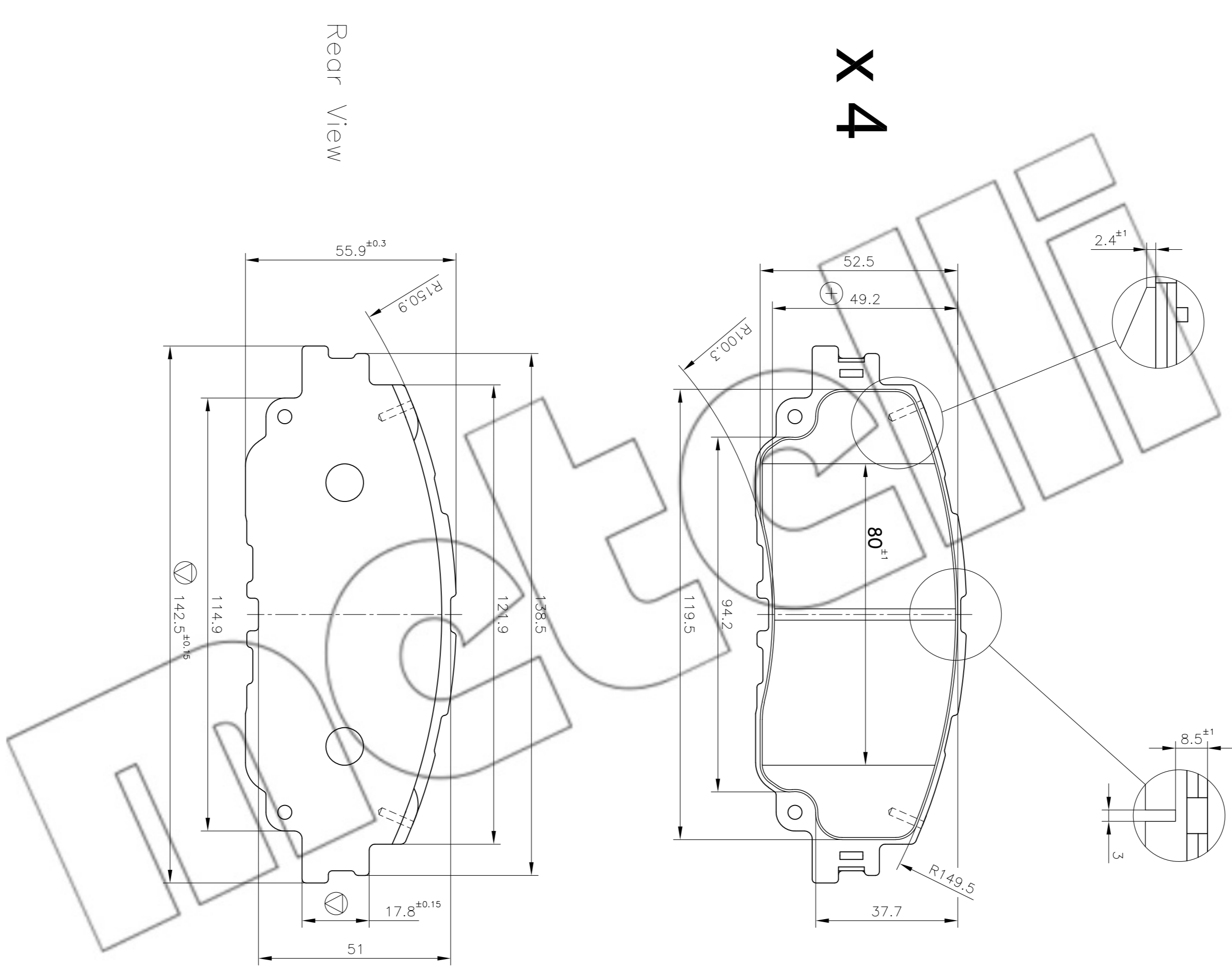


| Nr   | FT CODE | DESCRIPTION                          | QTY |
|--|---------|--------------------------------------|-----|
| 1  | FT#C    | Friction compound for passenger cars | -   |
| - Friction material: 11<br>- Identification letter: C<br>- Friction coefficient: according to ISLB-28 (V)<br>- Shear resistance: according to ISLB-17 (V)<br>- Compressibility: according to ISLB-30 (V)<br>- Density: according to ISLB-19 (V)<br>- Hardness: according to ISLB-18 (V)<br>- Friction material surface: 5.251,1 mm <sup>2</sup><br>- General tolerances: ±0.5  |         |                                      |     |
| 2  | FT#U    | Underlayer compound                  | -   |
| - Identification letter: U<br>- Color: black or red<br>- Friction coefficient: according to ISLB-28 (V)<br>- Shear resistance: according to ISLB-17 (V)<br>- Compressibility: according to ISLB-30 (V)<br>- Hardness: according to ISLB-18 (V)<br>PAD TH ≤ 10mm --> FT#U TH MAX= 2,5mm (+)<br>PAD TH ≤ 10mm --> FT#U TH min= 1,5mm (V)<br>10mm < PAD TH < 24mm --> FT#U TH MAX= 3,5mm (+)<br>10mm < PAD TH < 24mm --> FT#U TH min= 2mm (V)<br>PAD TH > 24mm --> FT#U TH MAX= 4,5mm (+)<br>PAD TH > 24mm --> FT#U TH min= 3mm (V) |         |                                      |     |
| 3  | C.8523  | Pre-coating water based adhesive     | -   |
| - Color: black<br>- Shear resistance: according to ISLB-17 (V)<br>Plate surface ≤ 100cm <sup>2</sup> --> 2,50mg/cm <sup>2</sup> + 5,50mg/cm <sup>2</sup> (V)<br>Plate surface > 100cm <sup>2</sup> --> 8,50mg/cm <sup>2</sup> + 11,00mg/cm <sup>2</sup> (V)  |         |                                      |     |
| 4  | MC.002  | powder paint                         | -   |
| - Color: black<br>Thickness = 40 ± 90 µm<br>ALL THE DIMENSIONS EXPRESSED IN THE DRAWING DON'T CONSIDER THE THICKNESS OF THE PAINT  |         |                                      |     |
| 5  | PM.1012 | Backing plate                        | 4   |
| - Plate material: S235JR (+)<br>- Plate surface: 6.045,4 mm <sup>2</sup><br>- General tolerances: ±0.3<br>- Roughness:<br>Ra ≥ 7 µm<br>Rz ≥ 45 µm  |         |                                      |     |



UNLESS OTHERWISE STATED THE FOLLOWING APPLIES:

- General symmetry [0.3]Z
- Control of prohibited and restricted substances according to PSA-S1
- Identification of key characteristics according to PQ-30
- Abbreviations according to ModUT-63



| REV | DATE | R.A.M. | DESCRIPTION | SIGNATURE |
|-----|------|--------|-------------|-----------|
|     |      |        |             |           |
|     |      |        |             |           |
|     |      |        |             |           |
|     |      |        |             |           |

| REPORT | 12 | CRITICAL | 5 | IMPORTANT | 7 |
|--------|----|----------|---|-----------|---|
|--------|----|----------|---|-----------|---|

|  |                   |
|--|-------------------|
| CQD DRAWING - MANUAL MODIFICATIONS ARE NOT ALLOWED |                   |
| Part name  | <b>BRAKE PADS</b> |
| Reference Code                                     | <b>1227.0</b>     |
| Signature  | Date              |
| Castellino A.                                      | 22.01.2021        |
| Bolocco E.   | 22.01.2021        |
| Chieschio M.                                       | 22.01.2021        |
| Prod. class  | 1D                |
| Scale  | 1:1               |
| Size   | A1                |

COMPLEX PROJECT DRAWING