



FAG Service Info



Conversion of the wheel bearing module

Additional components required

Manufacturer: Alexander Dennis

Models: Enviro 400, 500
Euro 2, 3, 4, 5
Javelin
Trident 2, 3

DANA axle ID: S63U, S75U, T75U

Part No.: Service Kit (Alexander Dennis):
S63U: 655387-6 (Timken → FAG)
S75U, T75U: 661391-4 (Timken → FAG)
NDS 80: 661391-1 (Direct Replacement)

Part No. (FAG): 805993.H195

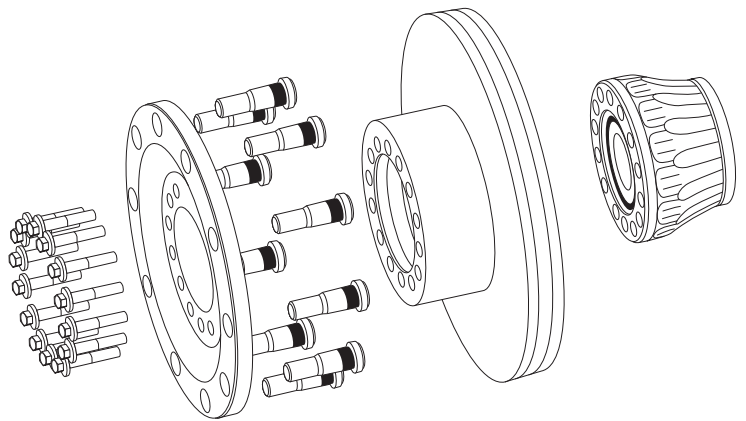


Fig. 1: With axles marked with the ID S63U, in addition to the wheel bearing module, the brake disc, wheel fixture, wheel studs and fastening screws must also be replaced.

For the DANA axles listed above (S63U, S75U, T75U), bus manufacturer Alexander Dennis has switched wheel bearing suppliers from **Timken** to **FAG**.

If, in the course of repairing axles marked with the ID S63U, S75U or T75U, a Timken wheel bearing is still installed, additional components must be replaced.



Fig. 2: FAG wheel bearing module 805993.H195

The spare parts can be obtained through the bus manufacturer. The following table shows the required part numbers.

Axle ID	Required component	Part No. Alexander Dennis	Quantity
S63U	Wheel fixture	658468-3	1 x
	Wheel stud	650723-2	10 x
	Brake disc	658468-4	1 x
	Fastening screw	658468-5	14 x
S75U	Wheel fixture	661391-2	1 x
	Fastening screws	661391-3	14 x
T75U	Wheel fixture	661391-2	1 x
	Fastening screw	661391-3	14 x
NDS 80	none	-	-

Torque values of Fastening screw: 236 -260 Nm (174 - 192 lbf ft)

Please observe the vehicle manufacturer specifications!

You want more? We can help!

Phone: +44 (0) 1432 264 264
Fax: +44 (0) 1432 375 760
aftermarket.uk@schaeffler.com
www.repxpert.co.uk

SCHAEFFLER
REPXPPERT