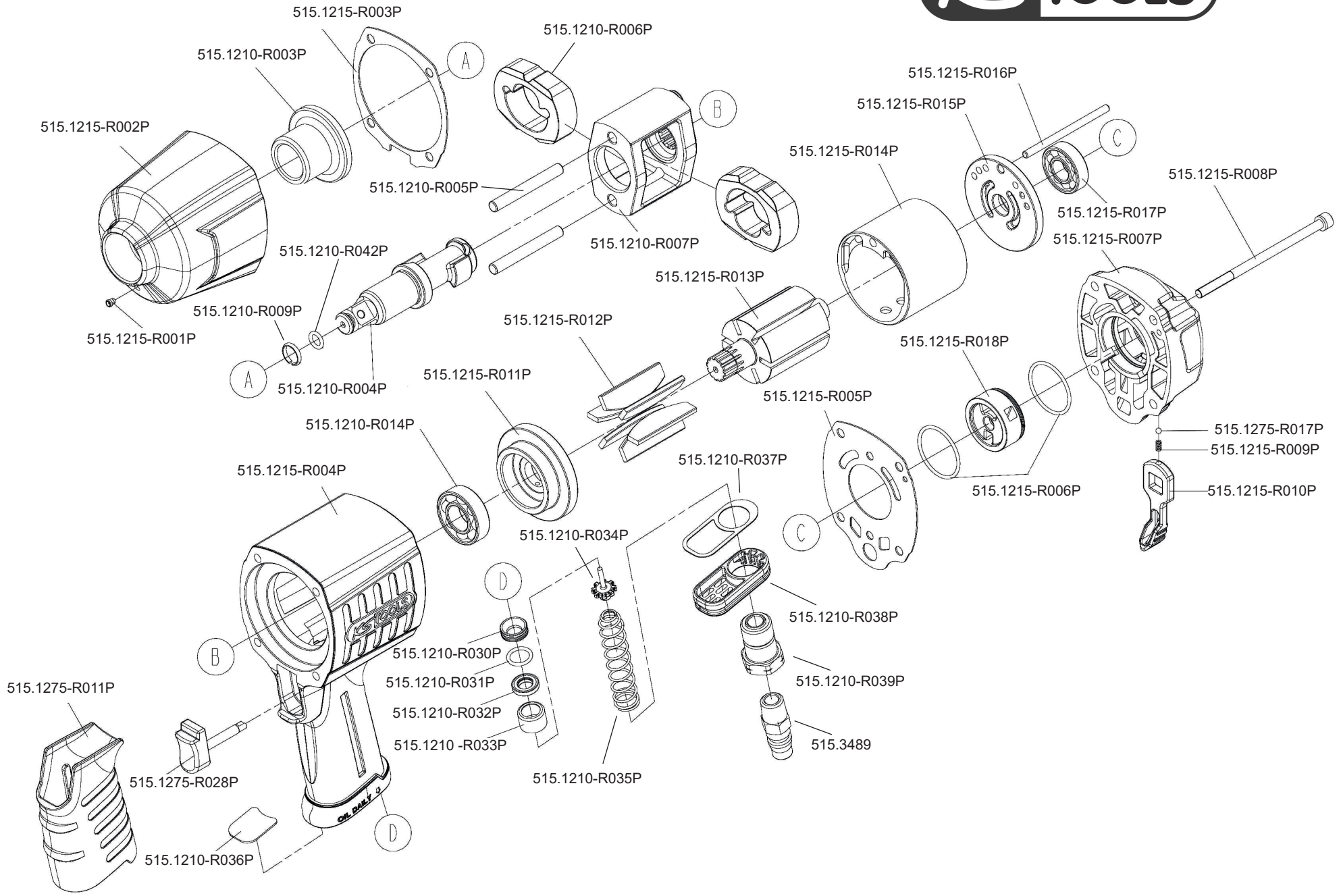


Art. 515.1215



**Art. 515.1215**

Art.-Nr.	Description	Beschreibung	Menge Qty.
515.1210-R003P	hammer case bushing	Laufbuchse	1
515.1210-R004P	anvil	Amboss	1
515.1210-R005P	hammer frame pin	Arretierungsstift	2
515.1210-R006P	hammer	Hammer	2
515.1210-R007P	hammer frame	Hammerkäfig	1
515.1210-R014P	bearing	Kugellager	1
515.1210-R030P	insert bushing	Distanzhülse	1
515.1210-R031P	o - ring	Dichtungsring	1
515.1210-R032P	seal	Dichtungsring	1
515.1210-R033P	bushing	Hülse	1
515.1210-R034P	tip valve	Druckventil	1
515.1210-R035P	valve spring	Ventilfeder	1
515.1210-R036P	muffler	Abluftdämpfer	1
515.1210-R037P	gasket	Abluftdichtung	1
515.1210-R038P	deflector	Abluft-Ableiterplatte	1
515.1210-R039P	air inlet	Lufteinlassschraube	1
515.1215-R001P	hammer case grease fitting	Schmiernippel	1
515.1215-R002P	hammer case	Hammergehäuse	1
515.1215-R003P	hammer case gasket	Dichtung für Hammergehäuse	1

Art.-Nr.	Description	Beschreibung	Menge Qty.
515.1215-R004P	housing	Gehäuse	1
515.1215-R005P	rear housing gasket	Gehäusedichtung	1
515.1215-R006P	o - ring	Dichtring	2
515.1215-R007P	rear cover unit	Hintere Abdeckung	1
515.1215-R008P	bolt assy	Gewindebolzen	4
515.1215-R009P	spring	Feder	1
515.1215-R010P	lever	Hebel	1
515.1215-R011P	front bearing plate	Vordere Kugellagerplatte	1
515.1215-R012P	blades	Rotorblatt	6
515.1215-R013P	rotor	Rotor	1
515.1215-R014P	cylinder	Zylinder	1
515.1215-R015P	rear bearing plate	Hintere Kugellagerplatte	1
515.1215-R016P	pin	Pin	1
515.1215-R017P	bearing	Kugellager	1
515.1215-R018P	reverse valve	Umschaltventil	1
515.1275-R011P	handle grip	Griff	1
515.1275-R017P	steel ball	Stahlkugel	1
515.1275-R028P	trigger unit	Schalter	1
515.3489	Air inlet connector, male thread, 1/4"	Messing-Stecknippel m.Außengew.10x13mm	1